



**PROJECT** \_\_\_\_\_

**TYPE** \_\_\_\_\_

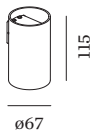
**NOTES** \_\_\_\_\_

**QUANTITY** \_\_\_\_\_

**DATE** \_\_\_\_\_



Cylindrical wall surface mounted luminaire made from aluminium; surface White Matt; powder coated; matt texture; RAL 9010; direct light distribution; lamp socket GU10; lamp type PAR16; max. 12W; 100 - 240 V; lamp not included; degree of protection IP20; Class 1;



**GENERAL**

Wall \_\_\_\_\_  
 Surface \_\_\_\_\_  
 White Matt \_\_\_\_\_  
 RAL 9010 <sup>a</sup> \_\_\_\_\_  
 IP20 \_\_\_\_\_  
 Interior \_\_\_\_\_

**LED**

lamp PAR16 \_\_\_\_\_  
 socket GU10 \_\_\_\_\_  
 max. per socket 12.0 W \_\_\_\_\_  
 CRI ≥ 90 \_\_\_\_\_

**ELECTRICAL**

100 - 240 V \_\_\_\_\_  
 Class 1 \_\_\_\_\_

**PHYSICAL**

diameter 67 mm \_\_\_\_\_  
 height 115 mm \_\_\_\_\_  
 0.21 kg \_\_\_\_\_

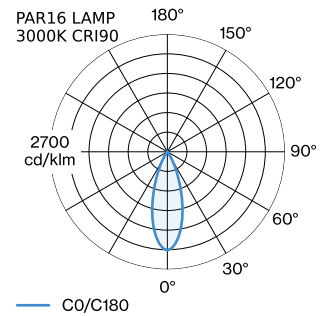
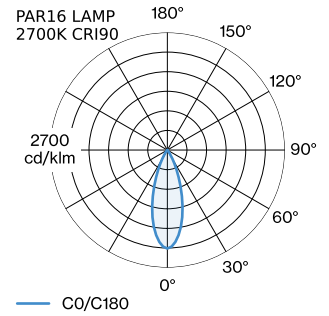
<sup>a</sup> Colour may deviate slightly due to production conditions.

**MEASURED LAMPS**

PAR16 LAMP 3000K CRI90 \_\_\_\_\_  
 500 lm \_\_\_\_\_  
 6.5 W \_\_\_\_\_

PAR16 LAMP 2700K CRI90 \_\_\_\_\_  
 460 lm \_\_\_\_\_  
 6.5 W \_\_\_\_\_

**LIGHT DISTRIBUTION**



[‘300220W0’] The technical data represent rated values for an ambient temperature of 25°C. The data values for the luminous flux are initially subject to a tolerance of +/- 10%, those for the electrical connected load are initially subject to a tolerance of +/- 10%, and those for the colour temperature are initially subject to a tolerance of +/- 150 K. No liability is assumed for typographical or printing errors. The general terms and conditions of Wever & Ducré BV apply.

**ELECTRICAL ACCESSORIES****LED LAMPS**

Type	Colour	Voltage	Item number
	Black Texture		W901228B3
	Black Texture		W901228B5

**LAMPS****PAR16 LED Lamp**

Type	Colour	Voltage	Ø·H (MM)	Item number
2700K   >90 CRI   GU10	White		50-60	901228W3
3000K   >90 CRI   GU10	White		50-60	901228W5
2700K   >80 CRI   GU10	Silver		50-60	905227S2
3000K   >80 CRI   GU10	Silver		50-60	905227S4